

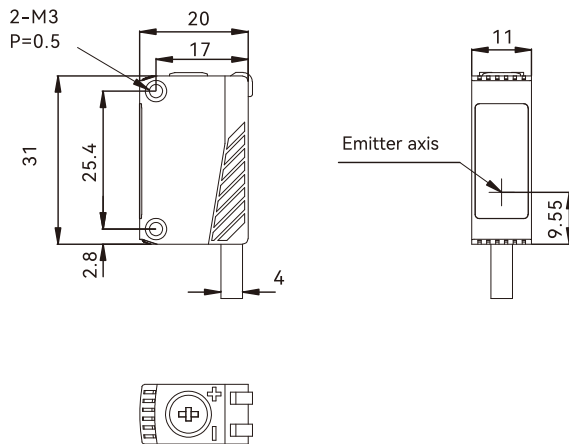
NEW!



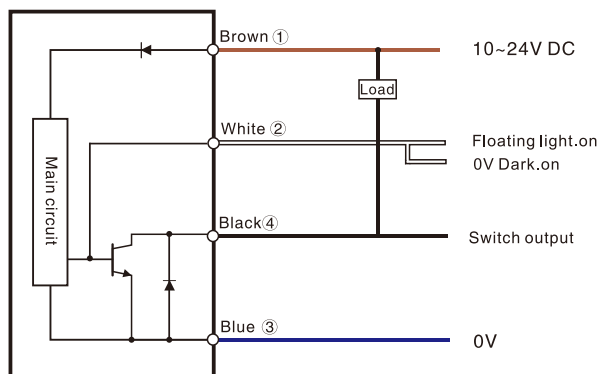
Sensing type	Diffuse reflection-Background suppression
Sensing distance	1~100mm
Setting distance	20~100mm
Spot size	65*0.5mm/100mm
Min. detectable object	φ 5mm(50mm)
Hysteresis	≤ 5%
Output type	NPN/PNP Open-collector
Switch type	L.on/D.on switchable
Indicators	Power:green;Output indicator:orange
Response time	≤0.3ms
Sensitivity adjustment	4 turns adjuster
Light source	Red LED
Supply voltage	10~24V DC
Residual voltage	<1V
Current consumption	≤20mA
Load current	≤100mA
Circuit protection	Power reverse polarity protection/Over current protection/Anti-light interference
Insulation resistance	Insulation resistance >20MΩ at DC500V between all terminals and housing
Anti-vibration	10~50Hz, 1.5mm amplitude, 2 hours each in X, Y, Z directions
Ambient illuminance	Sunlight ≤5,000 lux, incandescent lamp ≤2,000 lux, LED ≤2,000 lux
Ambient temperature	-10°C~+70°C, no freezing
Ambient humidity	35%~85% RH, no condensation
Degree of protection	IP66
Connection	Φ4 mm, 2 m 4 wire cable
Material	PBT+Glass fiber(housing);PMMA(lens)
Accessories	Bracket, screws
Model No.	NPN <b>ESB-BL10N</b> PNP <b>ESB-BL10P</b>

Dimensions

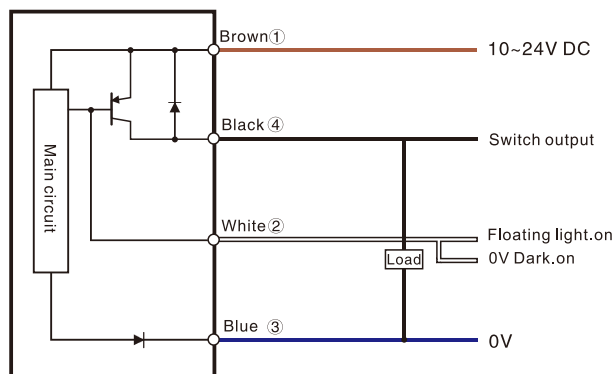
Unit: mm



NPN Output



PNP Output



- Fiber Optic
- Slot Sensors
- Photoelectric**
- Laser
- Proximity
- Displacement
- Magnetic
- Contact
- Area
- Ultrasonic
- Vision
- Code Readers
- Vibration
- Temperature
- Accessories

Guidance

Photoelectric

- Cylindrical
- Square
- Flat type
- Thin type

BGS

- Transparent detection
- Color/Mark Detection
- TOF type
- IP69K high protection type
- Anti-glare type
- IO-Link type

Reflectors

- Reflectors